

# RAIN HARVESTING

by Blue Mountain Co

# Tank Gauge



## Installation and Specification Guide

### PRODUCT DETAILS

Always know how much water is in your tank with this easy-to-read, tank-top tank gauge.

Knowing your tank level will help you make better decisions about how you use your water. The gauge is easy to set up and calibrate - so you can see at a glance where your water level is.

Code	Country
TATG02	Global

# Installation

---

## WHAT'S IN THE BOX?

- Tank Gauge with solid float attached
- 2 screws

## TOOLS/MATERIALS YOU MAY REQUIRE

- Marker pen
- Tape measure
- 32mm (1.25") spade bit or 32mm holesaw
- Flathead screwdriver or 5 cent piece (nickel)
- Screwdriver

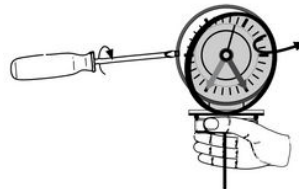
---

## TANK GAUGE

1 - Select an installation point on top of your tank for your Tank Gauge. Ideally, this should be a flat area that will allow you to view the gauge face easily. Mark your chosen installation point.

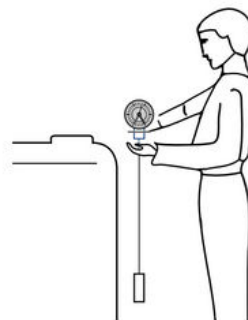
2 - Use a power drill fitted with a 32mm (1.25") spade bit or holesaw to create a 32mm (1.25") hole in your tank at the marked location.

3 - Carefully remove the front clear cover from your Tank Gauge with the edge of a flathead screwdriver or 5 cent piece (nickel) to enable access to the moveable empty and full indicators..



4 - Note: Steps 5-10 are more easily accomplished with two people working together.

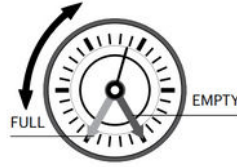
5 - Have one person hold the base of your Tank Gauge at the height of the previously drilled installation hole and have the other person lower the float until the top of the float is level with the bottom of your tank overflow outlet. If your overflow outlet is not near the installation site, measure down from a known common point on the tank and use this measurement to set the float as described.



6 - Move the green "full" dial/indicator to where the black water level dial/indicator is pointing.

7 - While one person continues to hold your gauge in place as described in step 5, have the other person lower the float until the top of the float is level with the bottom of your tank pump outlet.

8 - Move the red "empty" dial/indicator to where the black water level dial/indicator is pointing.



9 - Replace the front clear cover.

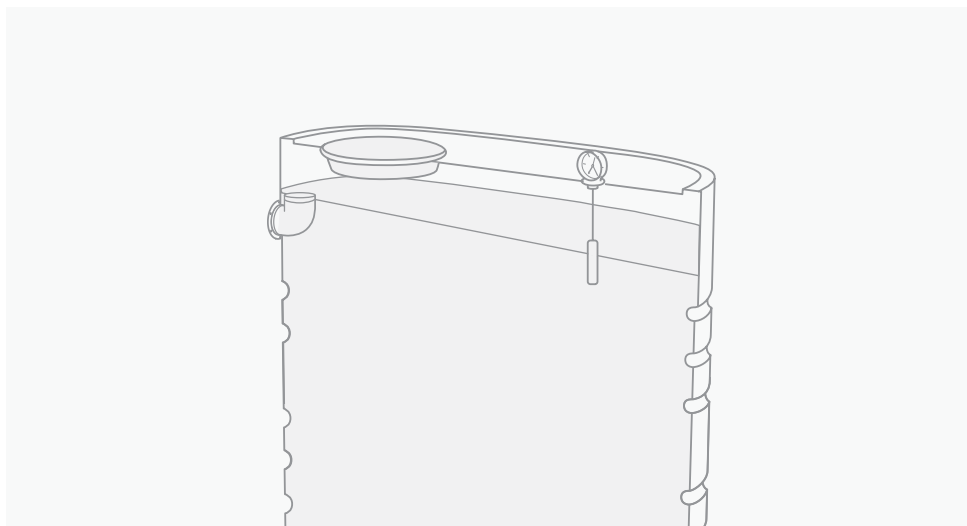


10 - Retract the string and float to 90% level. Pinch the string with your finger against your Tank Gauge body to prevent the string retracting any further.

11 - Bring your gauge and float up to the installation hole and lower the float through the installation hole until it rests in the water. Position the gauge body in and over the installation hole.

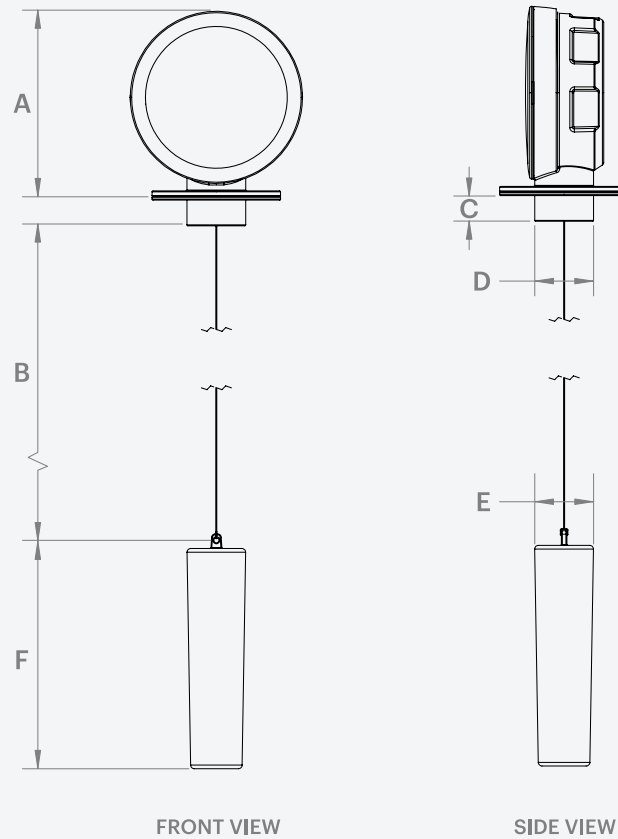
12 - Position your gauge so that the "full" and "empty" indicators are clearly visible from the ground.

13 - Using the supplied screws, secure your Tank Gauge to the top of your tank.



# Product Specifications

## Tank Gauge



## Dimensions & Pipe Fittings

COUNTRY	CODE	A	B	C	D	E	F
Global	TATG02	101	Suitable for tanks up to 2.5m	13	32	32	125
		4"	Suitable for tanks up to 8.2ft	0.5"	1.3"	1.3"	4.9"

All dimensions are in mm unless otherwise stated.

# Maintenance

When properly installed, your Tank Gauge should be maintenance-free.



A common misconception about collecting rainwater is that all you need is a roof, a tank and some rain. This 'tanking' approach cannot always be relied on to deliver the volume – or quality – of water that you require. That is where we can help.

With some thought, your rain harvesting system can provide you with cleaner water and lots of it. Whether you're completely reliant on tank water or wanting to keep the garden green, our simple steps will help you achieve your goal.

The Rain Harvesting approach to rainwater collection involves using tested and proven products to make quality rainwater available for use in and around your property. You don't need much to get started and you will be surprised how easy it is to get the most out of your rainwater system.

[How can we help you?](#)

**DISCLAIMER** This product specification is not a complete guide to product usage. Further information is available from Rain Harvesting Pty Ltd and from the Installation and Operating Instructions. This specification sheet must be read in conjunction with the Installation and Operating Instructions and all applicable statutory requirement. Product specifications may change without notice. © Rain Harvesting Pty Ltd

# **RAIN HARVESTING**

by Blue Mountain Co

For more information or to find out  
how we can help, just give us a call on

**+61 7 3248 9600**

Or visit our website at

**[rainharvesting.com](http://rainharvesting.com)**